

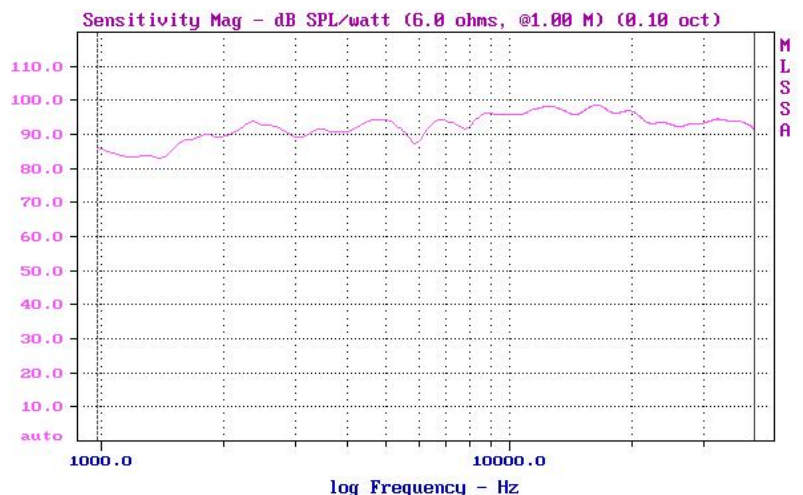
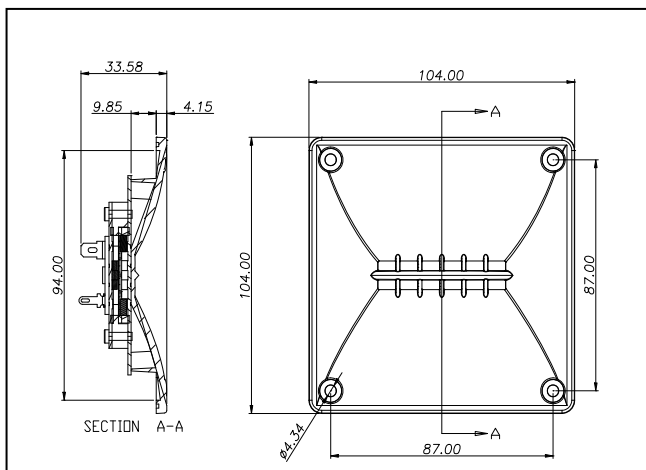
**Features:**

- Dipolar Ribbon Tweeter
- 1K Hz to 40K Hz Response
- 91 dB Sensitivity
- 6 Ohm Impedance
- Laminated Aluminum Diaphragm
- Ultra-thin Diaphragm



**Specifications:**

Nominal Impedance	8 Ohm
Frequency Response	1K Hz ~ 40K Hz
Sensitivity	91 dB @ 1W/1m
Recommended Crossover	More than 2.8 K Hz
Power Handling	40 W Continuous / 3 <sup>rd</sup> Crossover, $Q \leq 0.707$
Diaphragm	Laminated Aluminum
Magnet	Nd-Fe-B
Weight	180 grams



**BESTON Technology Corporation**

Office: 5F-13, No. 9, Ai Kuo West Rd., Taipei 100, Taiwan

TEL: (886)-2-23892956 FAX: (886)-2-23892952

E-Mail: [s272@ms45.hinet.net](mailto:s272@ms45.hinet.net)